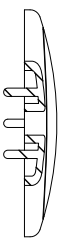
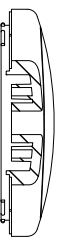
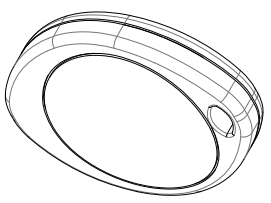
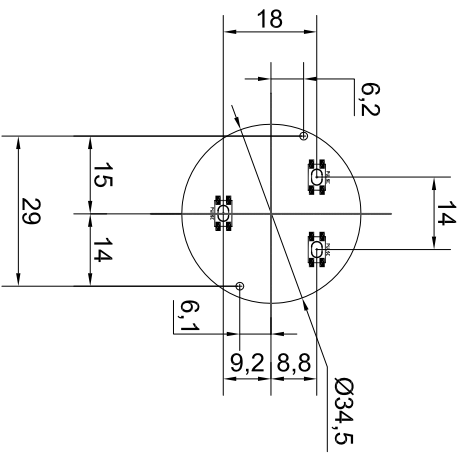


PCB DIMENSIONS



	Denomination	Part Number
	Assembly OVO-3/0	OVO-3/0
	Subject to technical modification without prior notice. Tipographical and other errors do not justify any claim for damages. All dimensions should be verified using an actual moulded part. This document contains proprietary information of TEKO S.p.a. and is rendered subject to the conditions that the information be retained in confidence not be reproduced or copied and not be used or incorporated in any product.	Rev. Index 10/05/2010
	Scale 1:1	Date 10/05/2010
	Format design A3	